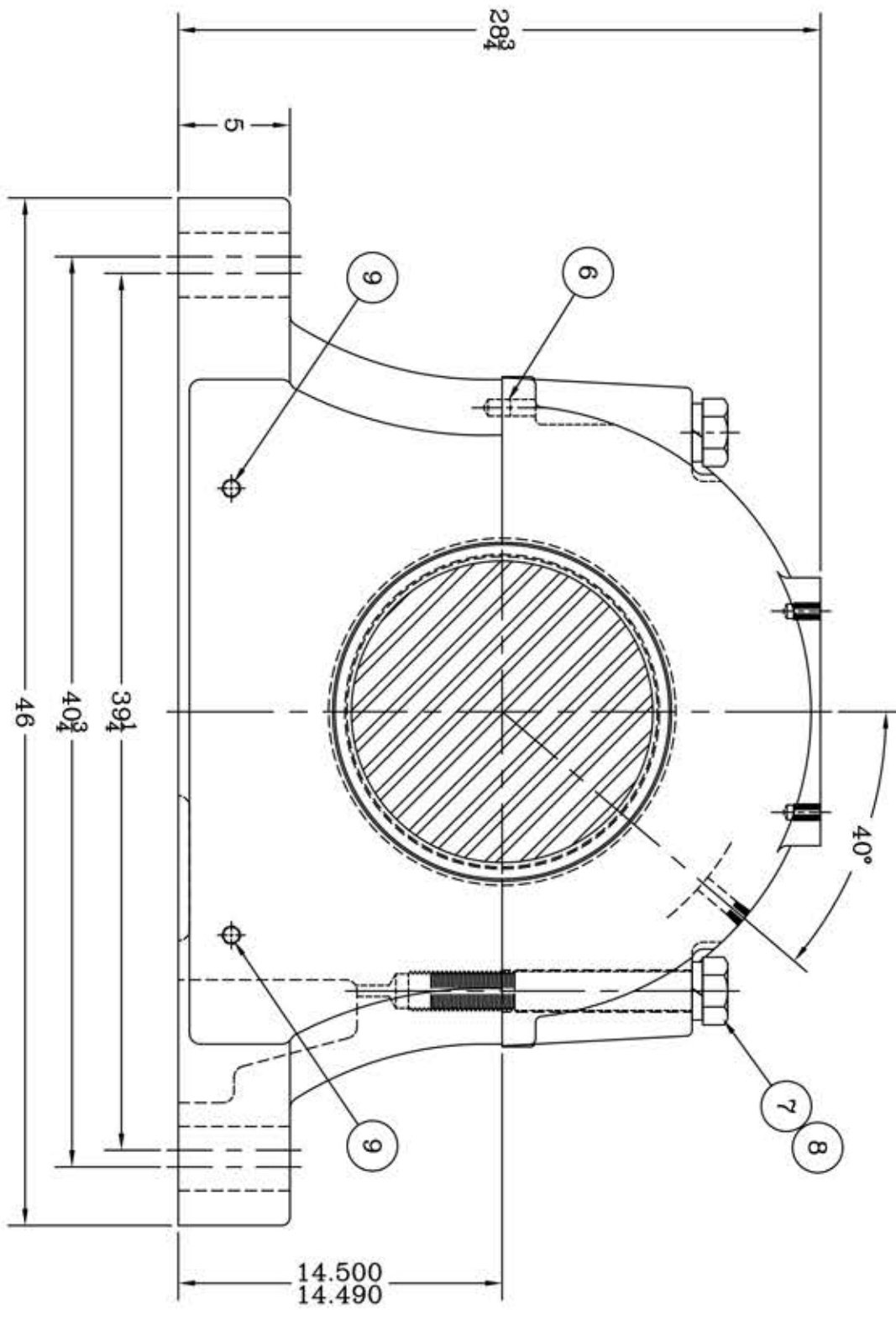
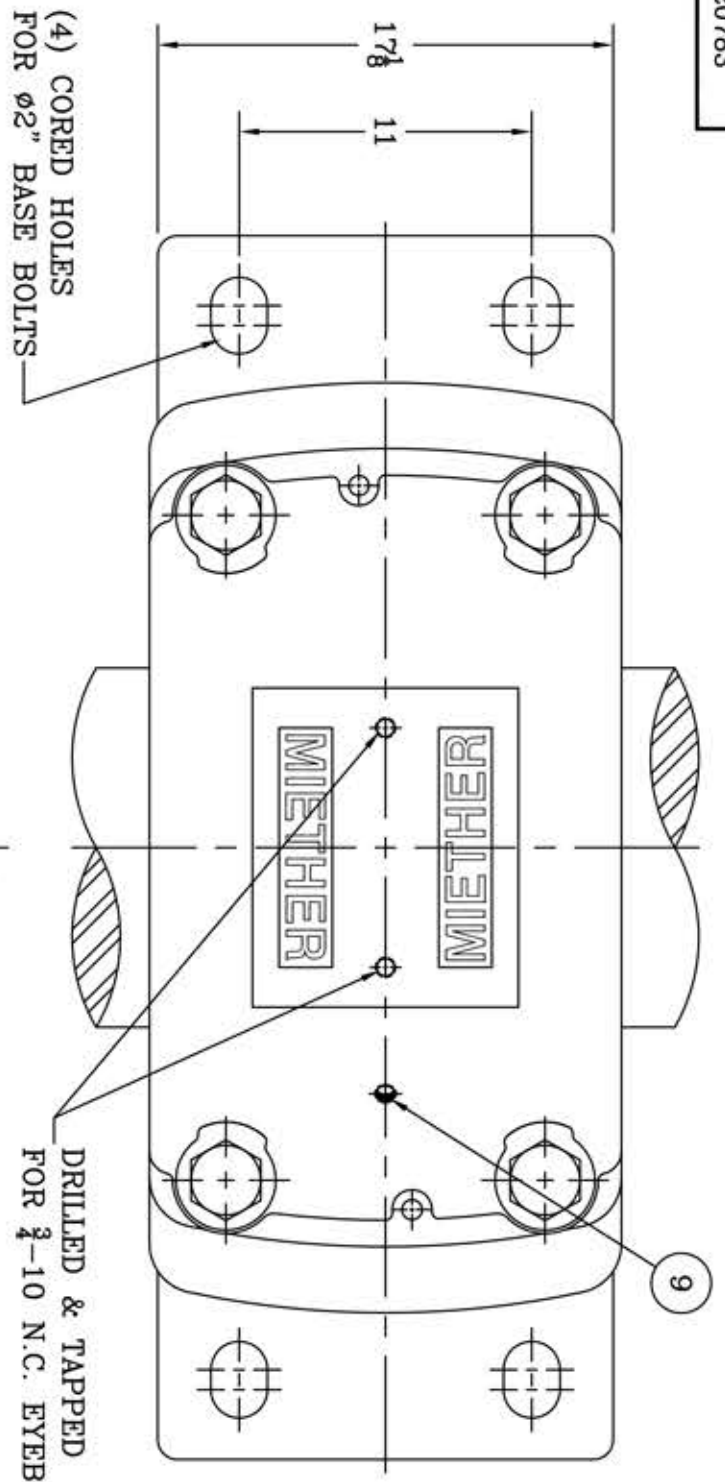
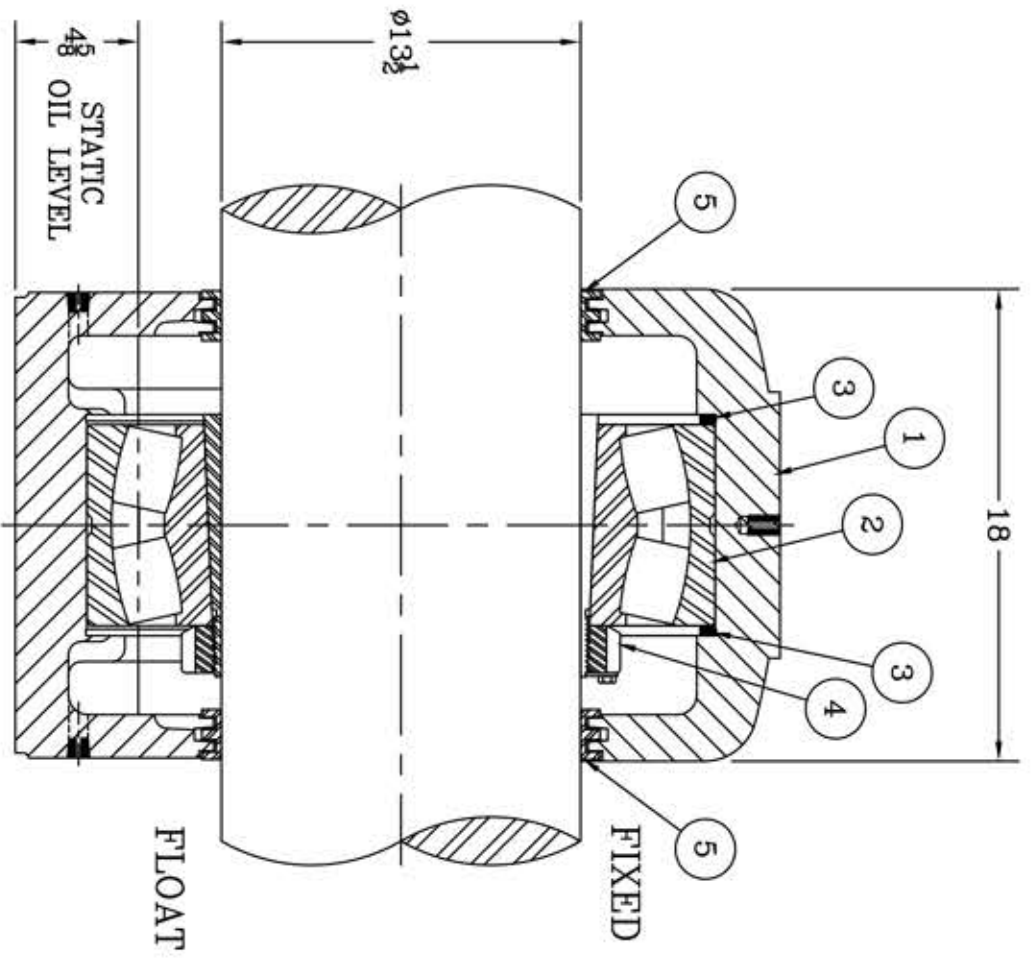


This drawing is the sole property of Miether Bearing Products and contains confidential and proprietary information. It is being provided to you for your use and may not be disclosed to any third party or used for any other purpose without Miether's prior written consent. The [materials] must be returned to the Company upon its demand. Your acceptance of these materials constitutes your acceptance of the foregoing terms.

C-20783



ITEM	DESCRIPTION	DETAIL	REQUIRED
1	HOUSING SDAF 3172 K 13-08	C-26638-R	1 1
2	SPHERICAL ROLLER BEARING	23172K/W-33	1 1
3	STABILIZING RING A-8974	A-19945	2 0
4	ADAPTER SNP-3172 13-08	24305	1 1
5	TRIPLE SEAL RING ER-823	A-11785	2 2
6	DOWEL	$\phi \frac{3}{4}$ x 1" LONG	2 2
7	CAP BOLT HEX. HEAD	1 1/2-5 NC x 12" LONG	4 4
8	LOCKWASHER	1 1/2 SPLIT MED.	4 4
9	PIPE PLUG	1/2-14 NPT	5 5



WAS BASED ON 084 CASTING AR per KAB 8-19-05

REDRAWN ON COMPUTER AR per KAB 8-19-05

REVISIONS

SYMBOL	DESCRIPTION	DATE
C		16
D		32
E		63
F		125
G		250
J		500
K		1000

TOLERANCE: UNLESS OTHERWISE SPECIFIED

FRACTIONS $\pm 1/32$ " ANGLES $\pm 0^\circ 30'$

DECIMALS $\pm .005$ " WELD $\pm 1/16$ "

CASTING $\pm 1/16$ "

A.I.S.I. STANDARD FINISHES

AN ALCO INDUSTRIES COMPANY

BEARING PRODUCTS

ODESSA, TX. USA

SDAF 23172 K 13-08	ASSEMBLY DRAWING
SCALE 1 = 5	ASSEMBLY NO.
DRAWN OMI	DRAWING NO.
DATE 7/30/90	CHK: C-20783